

100% of our products are made from recycled polymers



Producing high quality composite products, we meet all European standards and regulations (EN124 certificate)



We make a positive environmental impact using recycled polymers, reducing waste and promoting circular practices

 [www.sandcore.eu](http://www.sandcore.eu)  [ah@sandcore.eu](mailto:ah@sandcore.eu)  +370 69504141

# CABLE CHAMBER

## 400x400x800

From polymer composite

### INCLUDES:

Cover & Frame – 1 pc

Walls – 4 pcs

Bottom – 1 pc



INTERNAL DIMENSIONS, MM

**400x400x800**

EXTERNAL DIMENSIONS OF COVER, MM

**460x460x899**

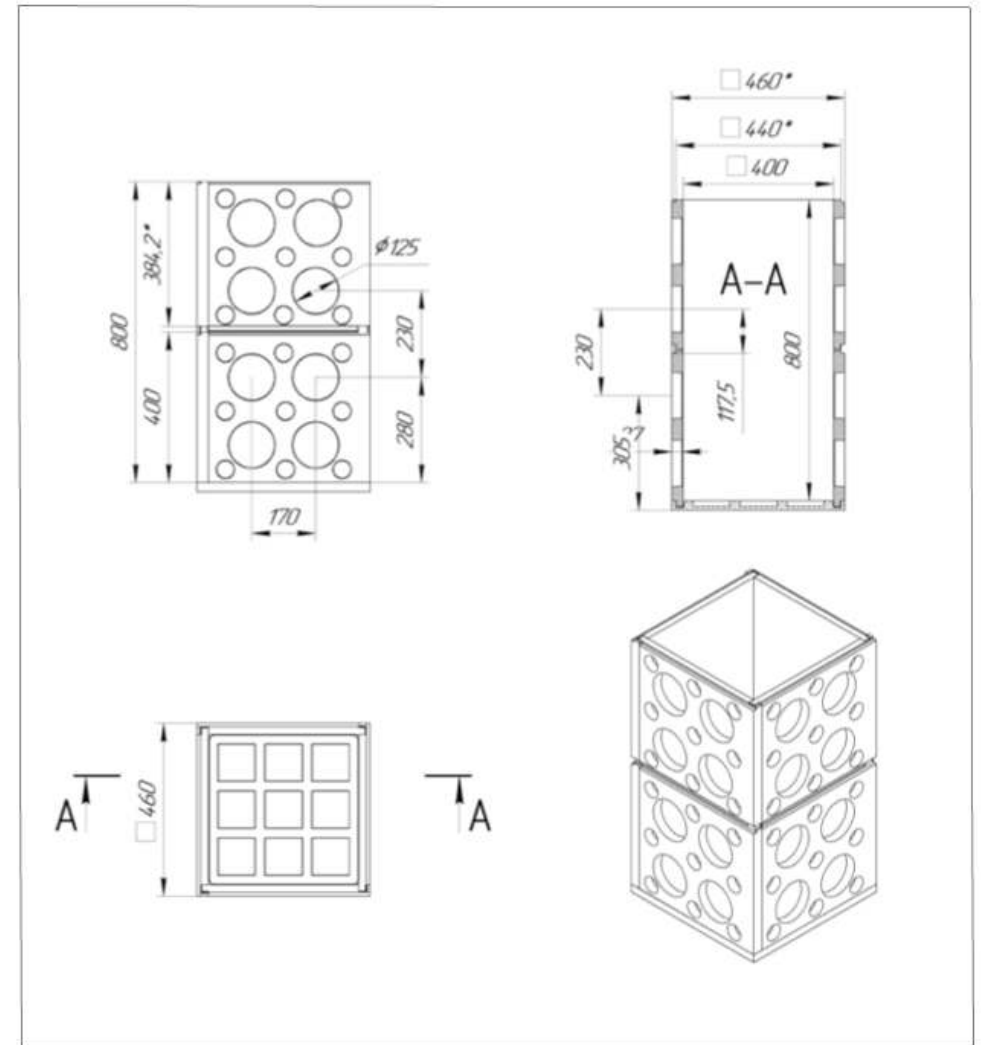
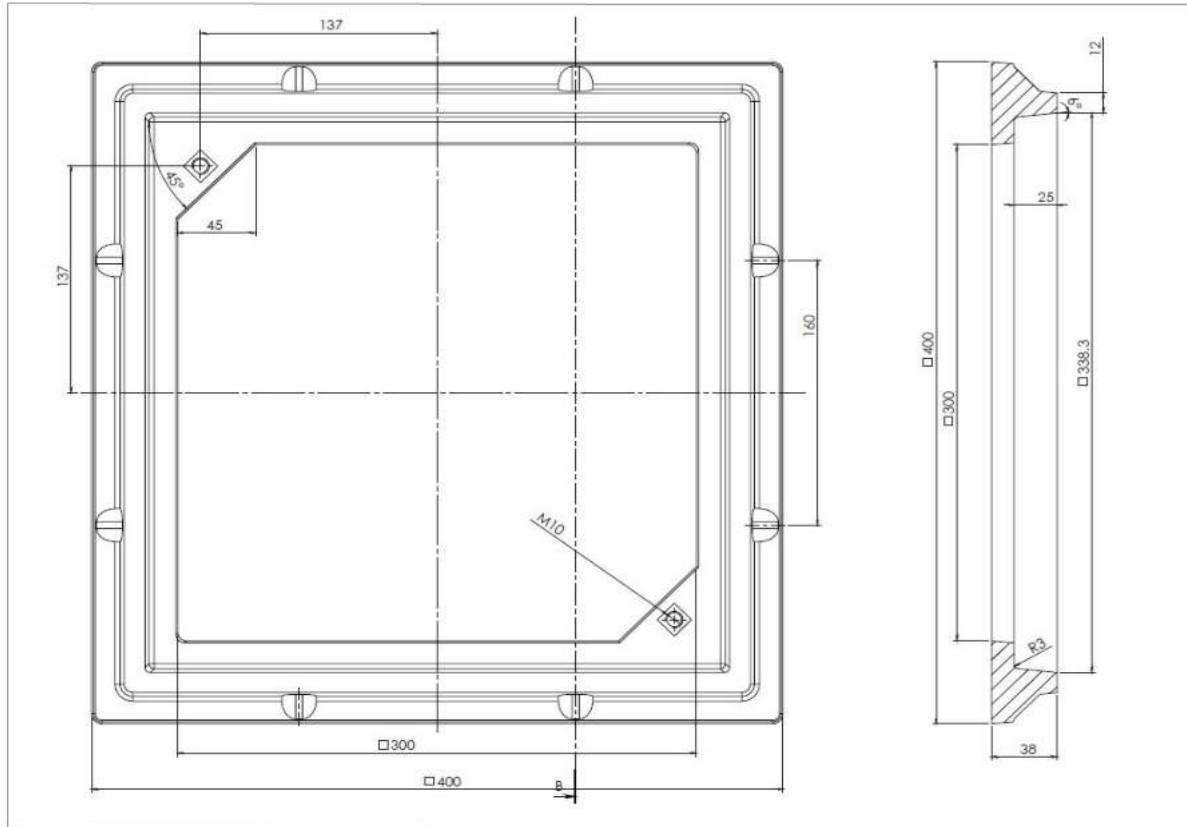
COVER LOADING CAPACITY

**B 125**

400x400x800

# CABLE CHAMBER

From polymer composite  
100% recycled materials



# CABLE CHAMBER

## 600x600x800

From polymer composite

### INCLUDES:

Cover & Frame – 1 pc

Walls – 4 pcs

Bottom – 1 pc



INTERNAL DIMENSIONS, MM

**600x600x800**



EXTERNAL DIMENSIONS OF COVER, MM

**660x660x899**

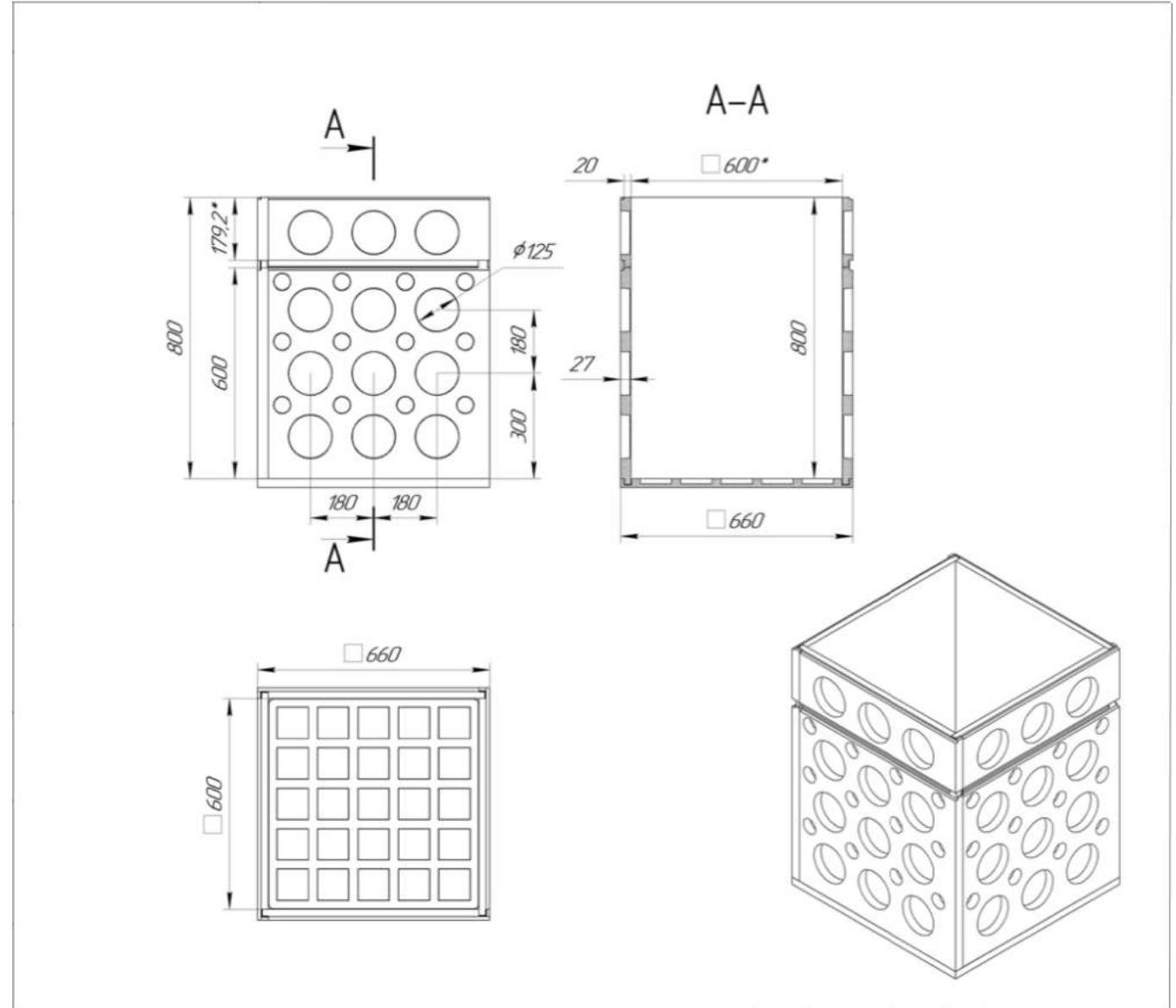
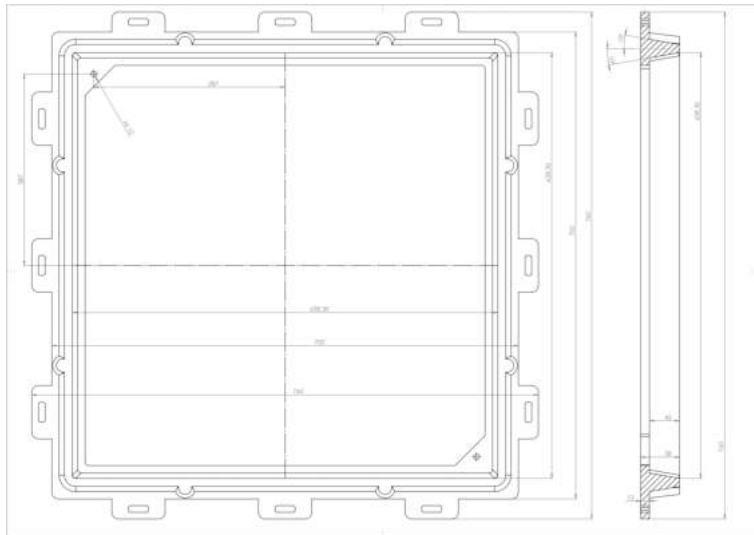
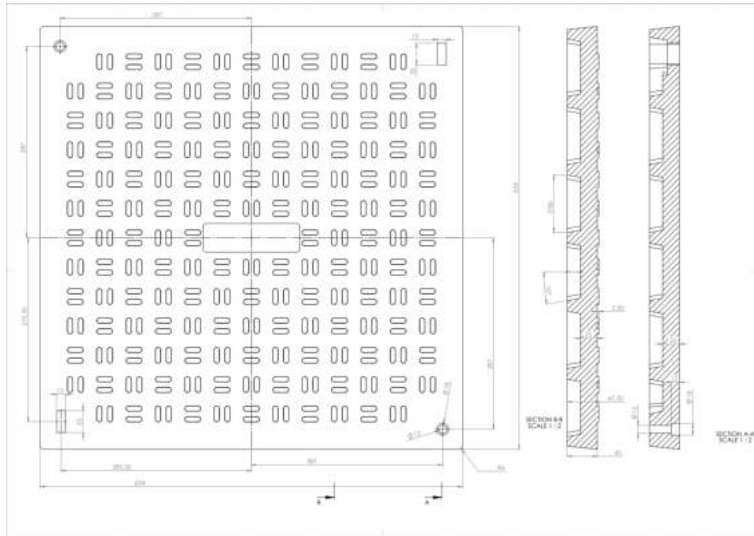
COVER LOADING CAPACITY

**B 125**

600x600x800

# CABLE CHAMBER

From polymer composite  
100% recycled materials



# CABLE CHAMBER

## 800x800x800

From polymer composite  
100% recycled materials

### INCLUDES:

Cover & Frame – 1 pc

Walls – 4 pcs

Bottom – 1 pc



INTERNAL DIMENSIONS, MM

**800x800x800**

**800x800x800**

EXTERNAL DIMENSIONS OF COVER, MM

**964x964**

**964x964**

COVER LOADING CAPACITY

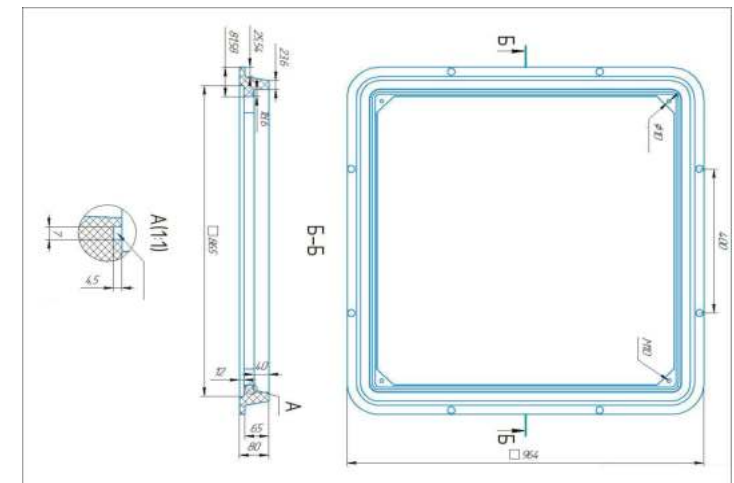
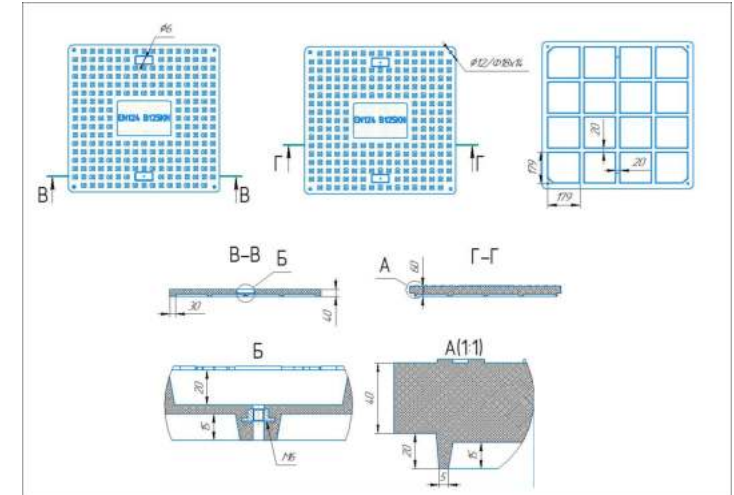
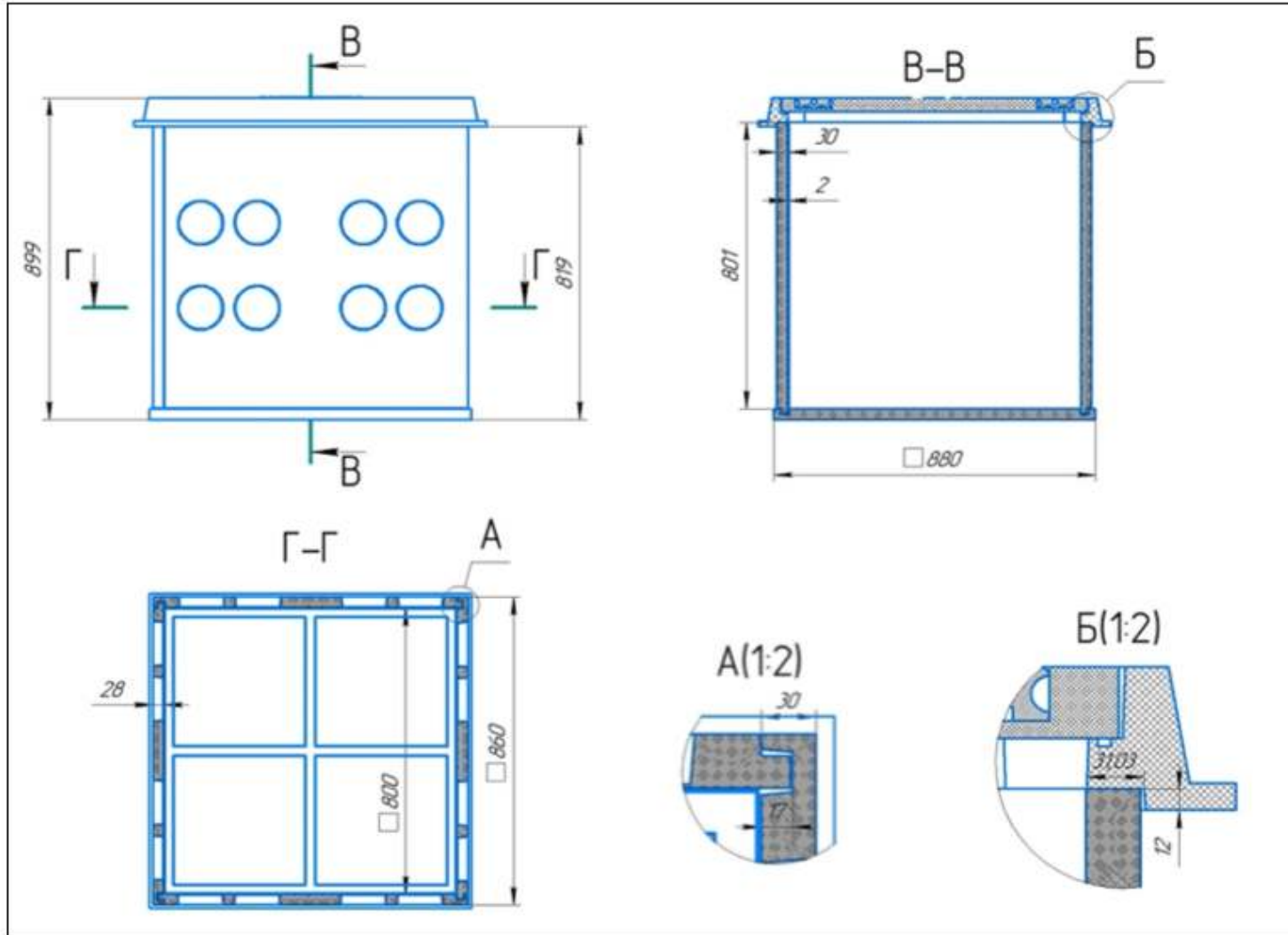
**B 125**

**C 250**

800x800x800

# CABLE CHAMBER

From polymer composite  
100% recycled materials



# INSTRUCTION FOR SHAFT ASSEMBLING

STEP 1



STEP 2



STEP 3



STEP 4



STEP 5



STEP 6



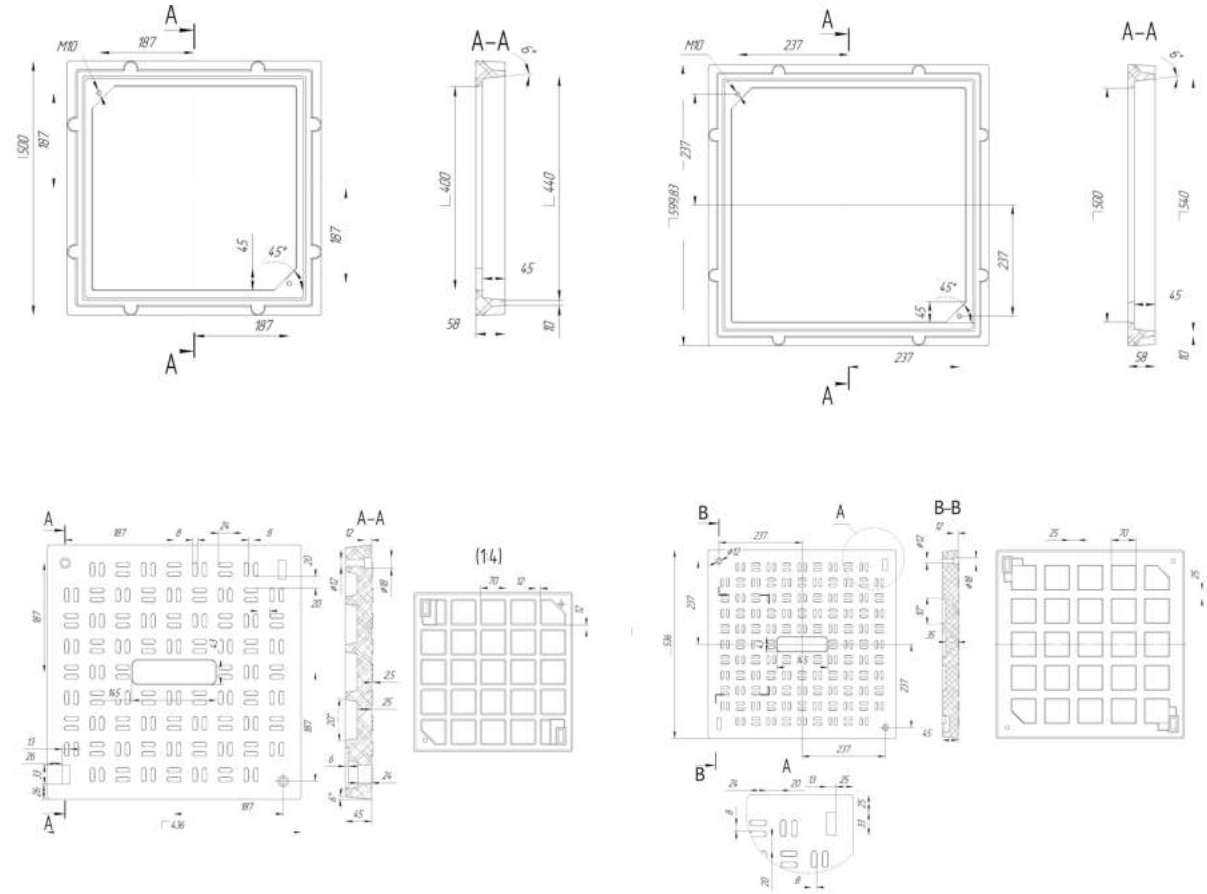
READY TO USE



# MANHOLE COVER

## WITH RING

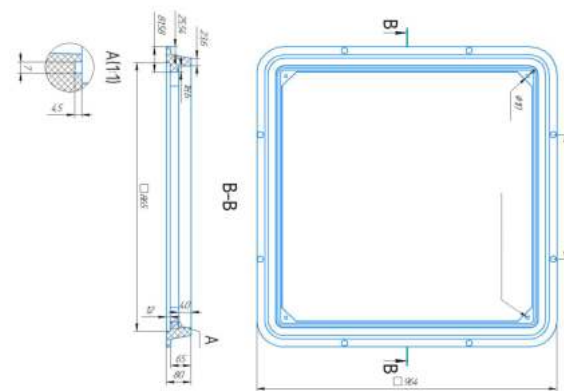
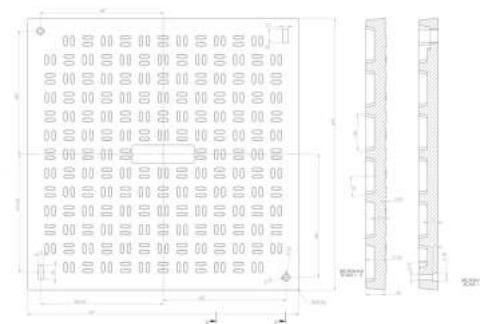
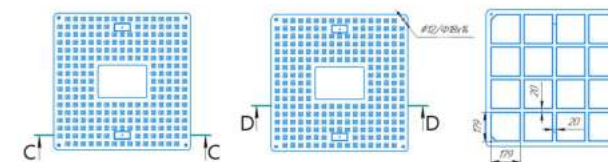
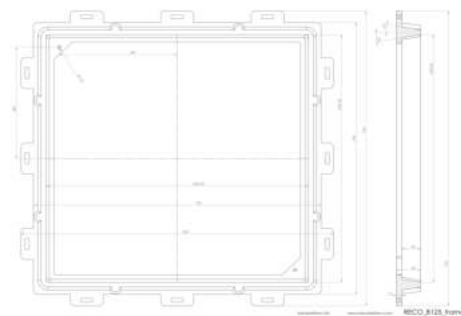
From polymer composite



<b>Product type according to standard EN124-5:</b>	Cover with frame 12.5 t	Cover with frame 12.5 t
<b>Load class:</b>	B125	B125
<b>Clear opening dimension:</b>	400 mm / 400 mm	500 mm / 500 mm
<b>External dimension:</b>	500 mm / 500 mm	600 mm / 600 mm
<b>Load capacity:</b>	12.5 t	12.5 t
<b>Weight:</b>	11 kg	12 kg
<b>Number of pieces per pallet:</b>	40	30

# MANHOLE COVER

WITH RING



**Product type according to standard EN124:**

Cover with frame 12.5 t

Cover with frame 12.5 t

**Load class:**

B125

B125

**Clear opening dimension:**

600 mm / 600 mm

800 mm / 800 mm

**External dimension:**

770 mm / 770 mm

964 mm / 964 mm

**Load capacity:**

12.5 t

12.5 t

**Weight:**

24 kg

40 kg

**Number of pieces per pallet:**

20

15